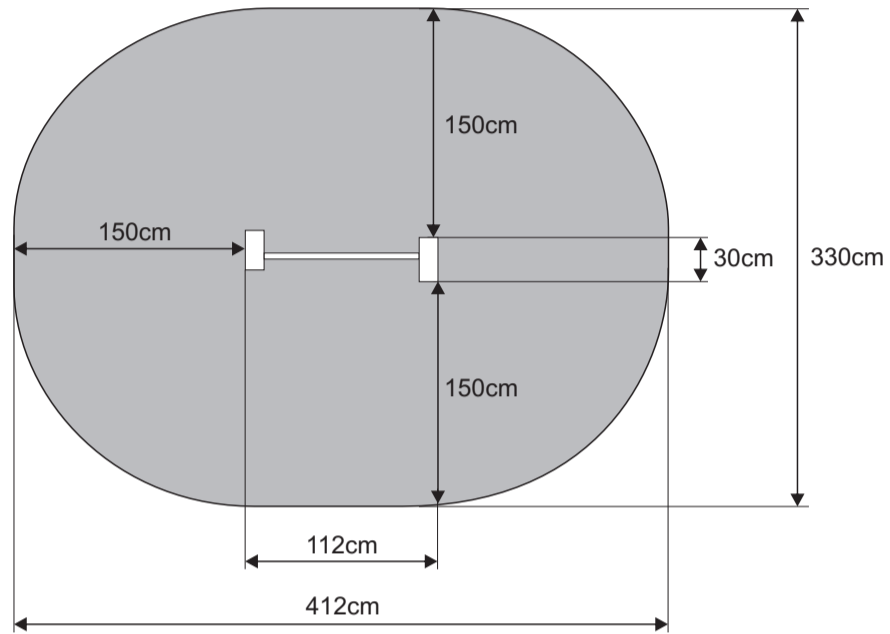
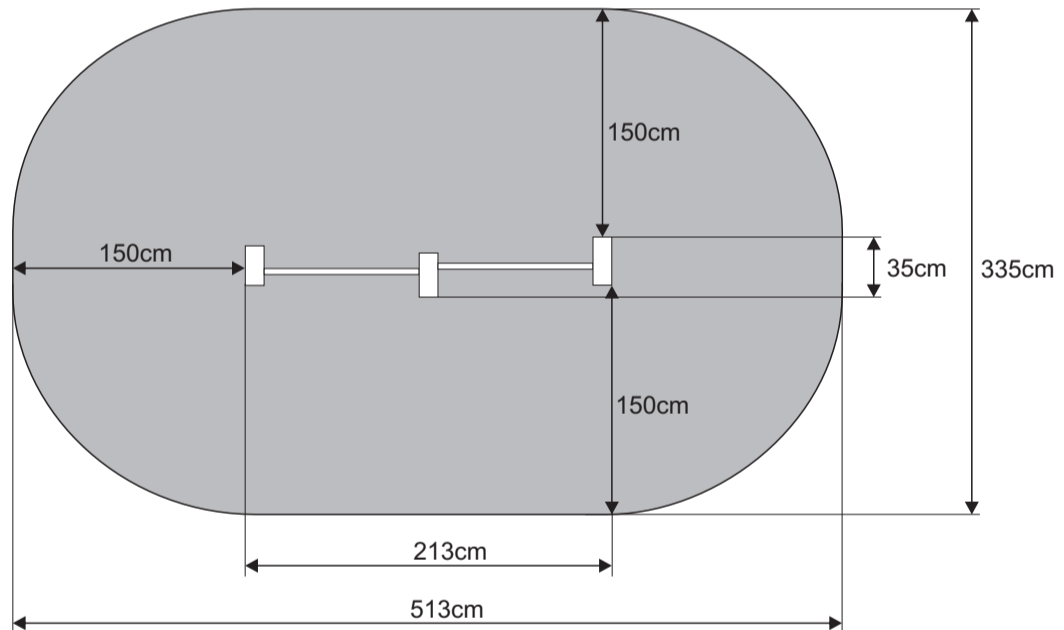


GIANT	Features	$m \times m = m^2$	1 pc = 50 x 50 x 4,5cm 1 m ² = 4 pc	$m^2 \times 0,3m = m^3$	Set 2 pc
GIANT Powerbar 1		13,5 m ²	54 pc	4 m ³	2 Sets
GIANT Powerbar 2		17 m ²	68 pc	5 m ³	3 Sets
GIANT Powerbar 3		21 m ²	84 pc	6,5 m ³	4 Sets

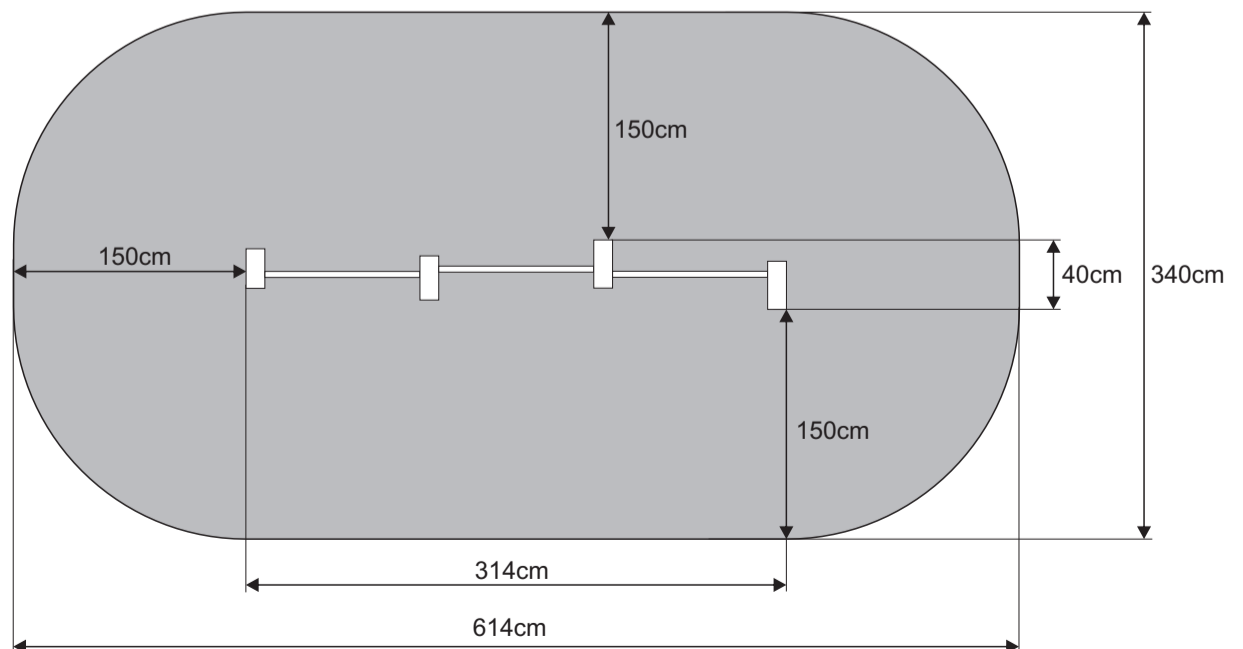
1.

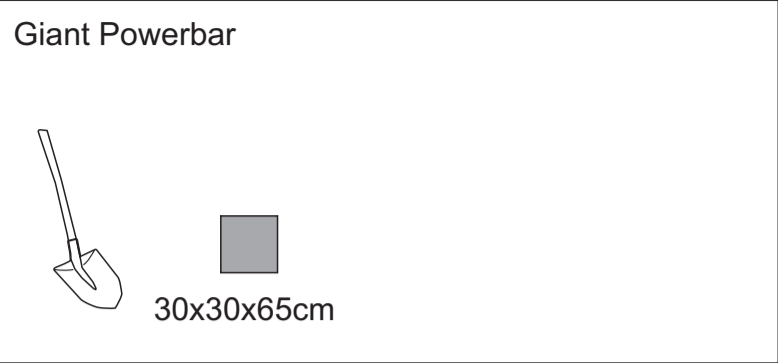


2.

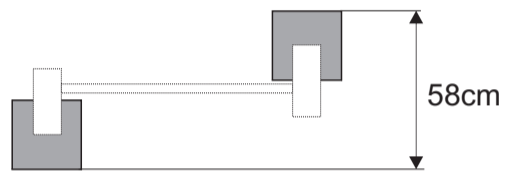
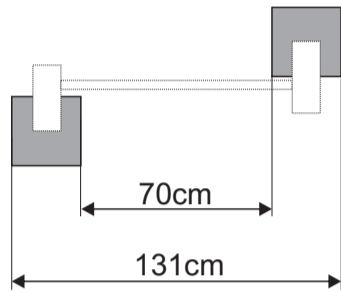


3.

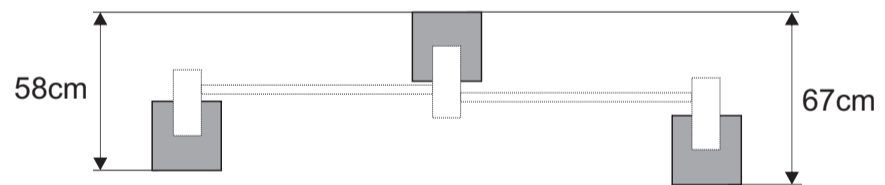
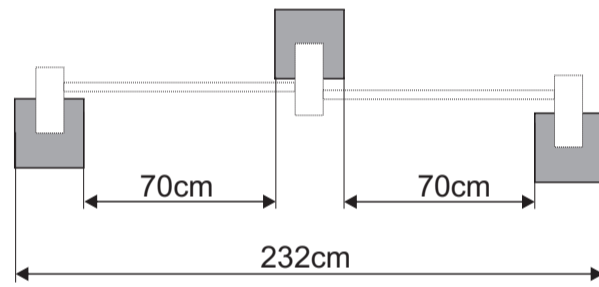




1.



2.



3.

