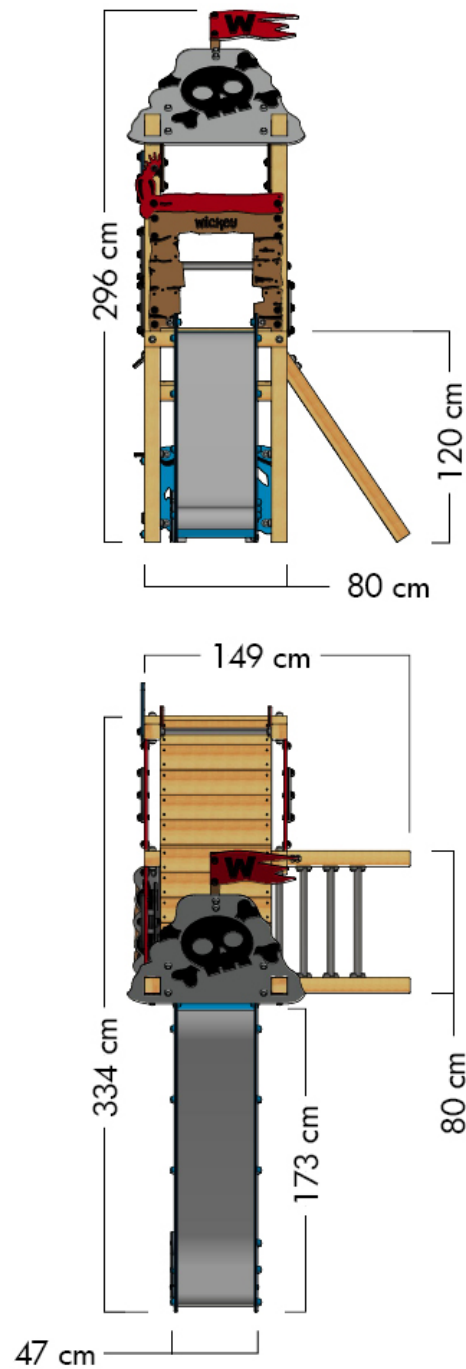


# WICKEY PRO

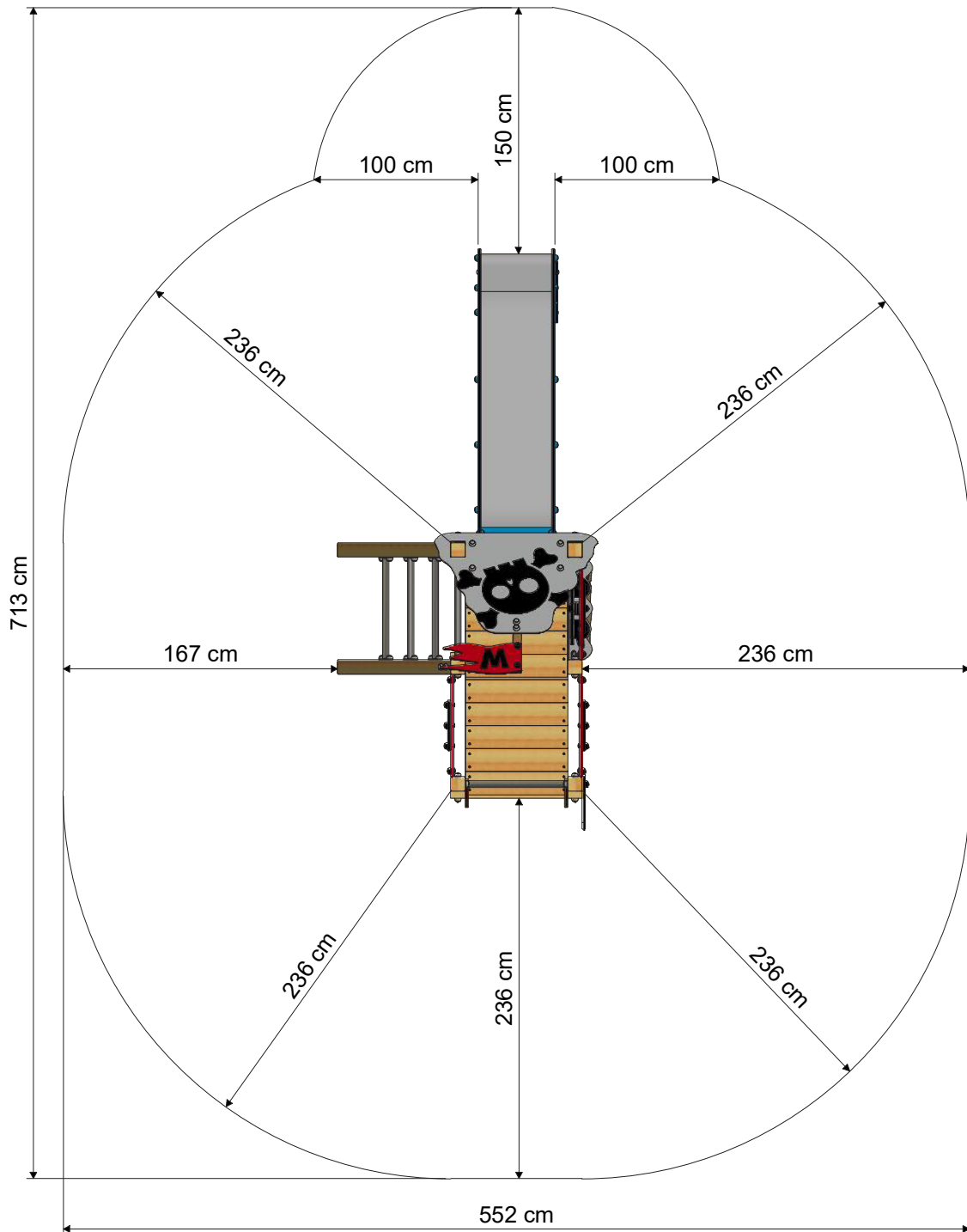


## WICKEY PRO MAGIC WAVE+

- Suitable for: 7 persons
- Age: from 3 years
- Platform height: 1,2 m
- Surface area: 5 m<sup>2</sup>
- Freefalling height: 2,76 m
- Safety area surface: 31,31 m<sup>2</sup>
- Safety mats required: 134



## MEASUREMENTS



## SAFETY AREA